



A KOHLER COMPANY

# RADA S.PA1 SHOWER PANEL



# OVERVIEW

**RADA S.PA 1** IS THE INNOVATIVE SLIMLINE SHOWER PANEL WITH ELECTRONIC BUTTON CONTROL AND PROGRAMMABLE FUNCTIONS THAT SAVE WATER AND ENERGY

- Water, energy and time saving
- 10 year high energy battery life
- Programme to suit your site preferences
- Aids Legionella control compliance
- Modern slimline design and robust construction
- Quick, easy installation and maintenance



# WHAT RADA S.PA 1 OFFERS

## Flexibility

Rada S.PA 1 allows Facilities or washroom managers to fine tune to suit a variety of preferences and individual customer requirements. The shower panel features 3 pre-programmed functions and will operate without the need for any additional programming. Additional options are available to allow fine tuning to specific site requirements.

## Sustainability

Rada S.PA 1's programmable flow options means it will stop after a pre-set time, preventing users from inadvertently leaving the shower running, while an integral 6 lit/min (or 9 lit/min regulator supplied) limits flow to BREEAM compliant rates. Managing flow times and water consumption in this way not only brings environmental benefits; it also delivers significant cost savings over the whole life of a building by driving down utility and energy bills.

## Performance

The S.PA 1's Hybrid Energy System powers for up to 10 years of performance. Therefore no need for regular battery replacement reducing your labour and maintenance costs.

## Ease of Installation & Maintenance

Slotted brackets allows for quick, easy vertical and horizontal alignment and the panel unit itself is secured with just two simple grub screws. Located within the solenoid valve, the filter is easily accessed for cleaning and replacement and the supplied isolating ball valve allows maintenance with no interruption to supply to neighbouring units. The shower panel includes a support strap to hold the panel for programming and maintenance.

# ADVANCED MATERIALS. ADVANCED TECHNOLOGY

## HYBRIDenergysystem

### Powering 10 years of performance

Our Hybrid Energy System comprises two key components: a high energy cell and an internal capacitor. The capacitor stores energy which protects the cell from high current draws and helps to preserve its operating life for up to 10 years. That means no periodic battery replacement, it just works without hassle, day after day, month after month, year after year.

### Programme to suit your site preferences

The S.PA 1 can be fine tuned by washroom managers to suit a variety of preferences and individual customer requirements:

- Choice of shower run-times from 20 secs to 2 mins
- Choice of duty flush intervals from 24 hrs to 72 hrs (duty flushing can be disabled if desired)
- Choice of duty flush run times from 1 min to 5 mins to accommodate longer pipe runs

## Innovative

The Hybrid Energy System features patented technology that prevents high-current draws, resulting in a very long life. Plus, this long life isn't dependent on Solar power or recharging.

## Innovation

With its highly distinctive one-piece profile and sleek finish, Rada S.PA 1 is the latest in a long line of ground breaking industry firsts. By taking proven tri-laminate construction technology and adapting it to create a complete shower panel, we have set another new standard for strength and durability.

Its light weight makes it ideal for one person installation and commissioning, while the tough, acrylic capped resin stone casing makes it a very robust unit which is also highly resistant to water staining. So it keeps on looking its best, no matter how busy the environment.

### Tested Over 5,000,000 Operations

To demonstrate its longevity we've tested the Hybrid Energy System in our laboratory for over 5,000,000 operations. This would equate to 10 years usage based on the following scenario:

- 50 showers/day
- 4 minute shower duration
- 30 second shower run time

### Modern and Robust Design

- Highly distinctive one-piece profile and sleek finish
- Robust, tri-laminate panel casing in white or silver
- Highly resistant to water staining

## Economical

The Hybrid Energy System doesn't require regular battery replacement. So you can free your maintenance team for other priorities.



# RADA S.PA 1 AT A GLANCE

Supplied with isolating ball valve for easier maintenance



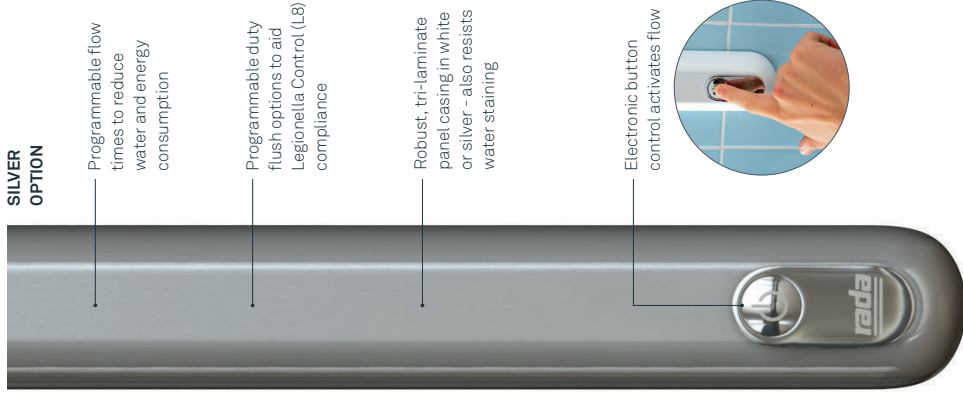
Designed for use with pre-blended water supply

Removable spray plate with rub clean nozzles for hygiene and scale free operation

BREEAM compliant flow rates, 6 litres/min (9 litres/min regulator also supplied)

High energy battery for easy wire free installation 10 year life

**WHITE OPTION**



**SILVER OPTION**

Programmable flow times to reduce water and energy consumption

Programmable duty flush options to aid Legionella Control (L8) compliance

Robust, tri-laminate panel casing in white or silver - also resists water staining

Electronic button control activates flow



## Design

We have a long-standing reputation for developing contemporary, ergonomic products that deliver outstanding performance and reliability while meeting the ever-higher expectations of a design conscious public.

# SAVE WATER, ENERGY AND TIME

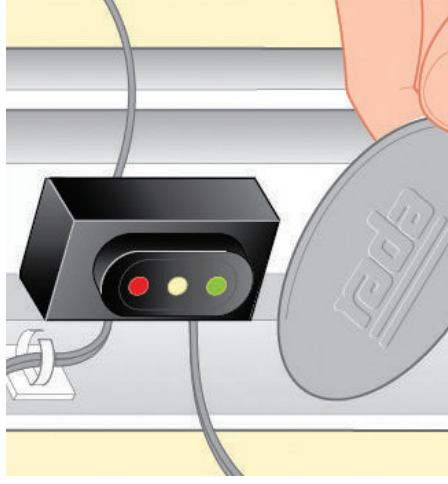
## Tailored to your requirements

The Rada S.PA 1 shower panel is pre-programmed at the factory for simple 'plug and play' commissioning, activating the flow at the press of a button.

It can also be easily fine tuned to suit a variety of preferences and individual customer requirements.

A magnetic passkey allows access to a variety of programme functions\*:

- Choice of shower run-times from 20 secs to 2 mins
- Choice of duty flush intervals from 24 hrs to 72 hrs (duty flushing can be disabled if desired)
- Choice of duty flush run times from 1 min to 5 mins to accommodate longer pipe runs



Programme Module, accessed from the back of the panel, is activated by supplied magnetic passkey.

## L8 compliance

In addition, its programmable duty flush intervals and run times allow public washrooms to comply with public health regulations by satisfying the standards laid down by the L8 Publication\*\* issued by the Health & Safety Executive, for the control of Legionella and other water-borne bacteria.

\*Removal of panel cover required to access programming functions.

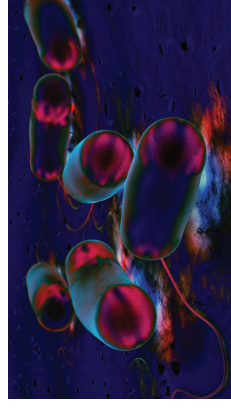
\*\*The control of Legionella bacteria in water systems - Approved Code of Practice.

## Save Water and Energy

With standards such as BREEAM setting strict limits on water consumption, washrooms have become central to the assessment of overall building performance.

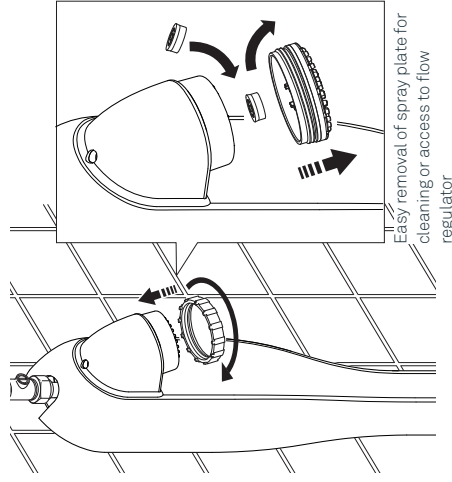
Rada S.PA 1's programmable flow options mean it will stop after a pre-set time, preventing users from inadvertently leaving the shower running, while an integral 6 lit./min (or 9 lit./min regulator supplied) limits flow to BREEAM compliant rates.

Managing flow times and water consumption in this way not only brings environmental benefits; it also delivers significant cost savings over the whole life of a building by driving down utility and energy bills.



Legionella bacteria

## QUICK, EASY INSTALLATION AND MAINTENANCE



Easy removal of spray plate for cleaning or access to flow regulator

Fitting and maintaining Rada S.PA 1 is just as straightforward as its clean, uncomplicated design. Its slotted brackets allows for quick, easy vertical and horizontal alignment and the panel unit itself is secured with just two simple grub-screws.

Located within the solenoid valve, the filter is easily accessed for cleaning and replacement, the supplied isolating ball valve allows maintenance to be carried out with no interruption of supply to other units in the same washroom. Rada's designers have even incorporated a clever support strap to hold the panel while it is being maintained.

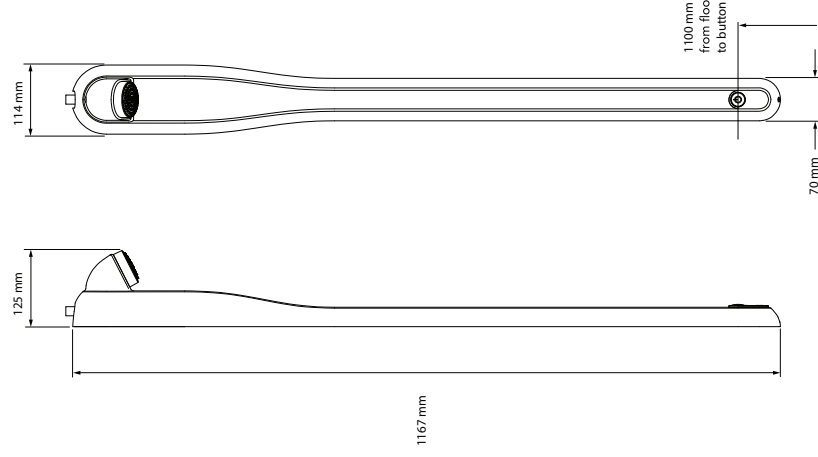
With a 10 year life, the high energy battery in the Hybrid Energy System is a true 'fit and forget' item.

### Support

Distinguished by the high calibre of its people, the Rada Technical Support Team offers a complete range of technical and sales support services from initial design concept through to installation, commissioning and beyond.

## PRODUCT SPECIFICATION

### Dimensions (mm)



## TYPICAL APPLICATIONS

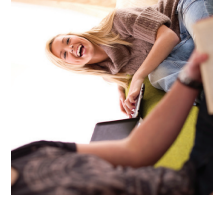


Rada S.PA 1 offers a winning combination of economy, ease of installation and flexibility across a wide range of applications:



### Leisure

A stylish profile and electronic button control enhance customers' showering experience, while programmable flow settings save water and energy.



### Education

Flush wall mounting and durable tri-laminate casing make Rada S.PA 1 more than a match for the knocks of school and college life.

### Product Information

**723940 002** Rada S.PA 1 Shower Panel Silver

**723940 010** Rada S.PA 1 Shower Panel White